

It is a cooling apparatus that provides great savings in the long term for cooling the cutting and drilling tools used in the industry. It ensures effective operation of the part in which it is used and also provides profit for the company by using exhausted air carelessly in general. It can produce cold air up to approximately 35 °C or 40 °C.

Areas Applications :

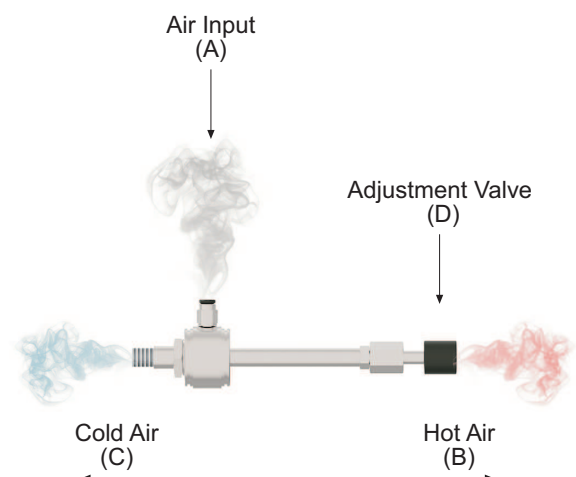
It is used for cooling operating parts of product equipments such as guide, saw, milling cutter, tool bit, and for preparing melt in the cameras, laser cutting machines.



Advantages :

Fixed pressure air enters from the inlet A. While it moved along vortex tube, it is expelled from (B) by passing through adjustable valve (D) in the outlet. Reverse vortex, in which excess air occurs, losses heat while it returns along the tube and it is sent for use as cold air from the outlet (C).

Max. Working Pressure	7 Bar
Flow Range	6 m ³ /hour
Weight	500 g.



ELX VORTEX COOLING TUBE

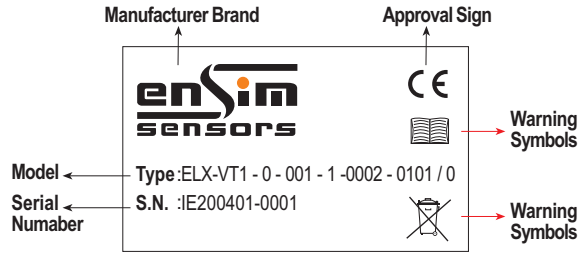
ELX VT1

Advantage :

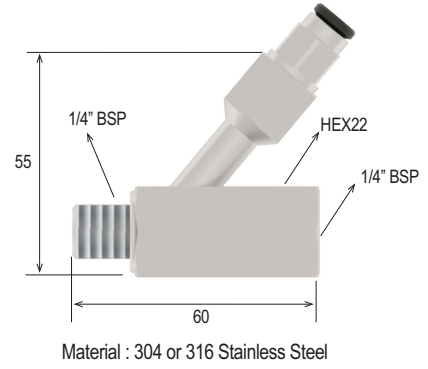
- * No electricity
- * Corrosion resistant steinles steel construction
- * Small, lightweight
- * Maintenance free
- * Cooling temperature can be adjusted
- * Long life
- * Quiet operation

Model: 25-4-2023-005

Product Label :



Liquid Apparatus :



Order Form : Please consider sample models when coding

1 MODEL ELX

Standard.....VT 1

2 CERTIFICATE

None.....0 (EN10204-3-1) Material Certification.....1

3 BODY MATERIAL

304 Stainless Steel001 Special.....x
 316 Stainless Steel002

4 AIR INPUT CONNECTION

Hose Pipe Ø 8 mm.....1 Special.....x

5 COLD AIR OUTPUT CONNECTION

1/4" BSP Male Thread.....0002 Special.....x

6 HOT AIR OUTPUT CONNECTION

1/4" BSP Female Thread.....0101 Special.....x

7 OPTIONAL

None...../ 0 Special...../ x
 Liquid Apparatus...../ LA

SAMPLE

ELX VT1 - 0 - 001 - 1 - 0002 - 0101 / 0
 ELX VT1 Vortex Tube , 304 Stainless Steel , 1/4" BSP Male Thread