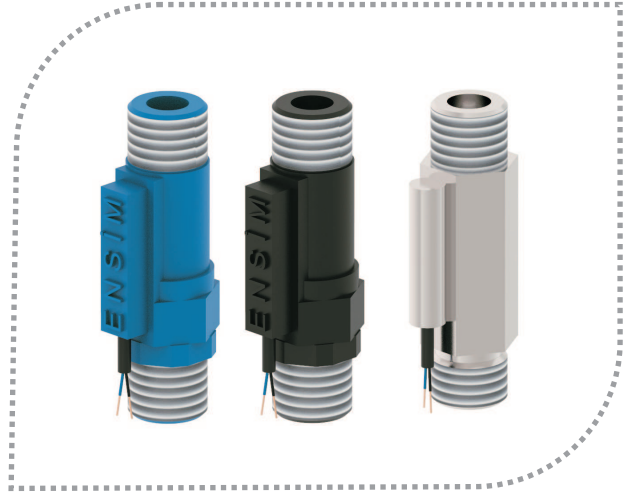
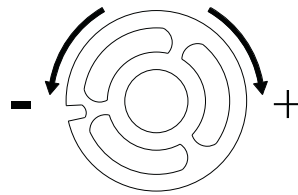


EFS is used in order to check safely whether there is flow or not by detecting movement for liquids inside the pipe. It provides information about flow with high reliability without spending energy in cooling water, in the devices such as flash heater, central heater boiler and heater. It should be assembled vertically.



Rising flow rate (For water) :
0,6...1,2 l/min or 1,5...2.5 l/min
The user can adjust the set point by turning the stamp in the body.



EFS FLOW SWITCH

EFS 11
EFS 11x
EFS 13

Advantages :

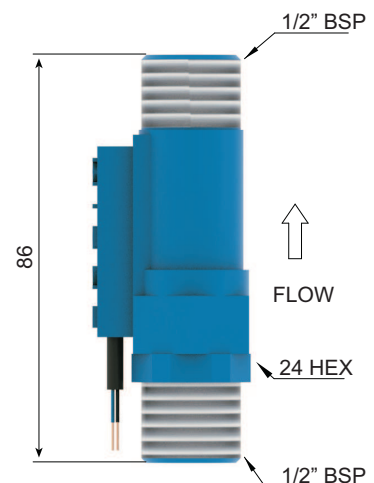
- * Practical way can be mounted.
- * Economical.
- * Relay circuit contactless with fluid.



Technical Specifications :

EFS 11

Fluid	Liquid
Working Temperature	(-) 20 °C / (+) 100 °C
Working Pressure	Max. 20 bar
Output	NO Single Contact (Reed Relay)
Connection	1/2" BSP Male Thread
Cable	0.5 m. PVC
Spring and Rove Material	Stainless Steel
Body Material	PP
Body Colour	Blue
Accuracy	Adjustable
Contact	0.7 A 10 W 150VDC / 120VAC

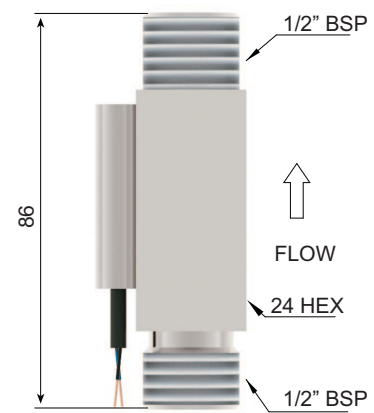
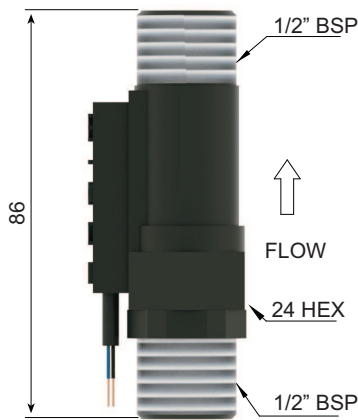


EFS 11x

EFS 13

Fluid	Liquid
Working Temperature	0 / (+)60 C
Working Pressure	Max. 10 bar
Output	NO Single Contact (Reed Relay)
Connection	1/2" BSP Male Thread
Cable	0.5 m. PVC
Spring and Rove Material	Stainless Steel
Body Material	PVC
Body Colour	Grey
Accuracy	Adjustable
Contact	0.7 A 10 W 150VDC / 120VAC

Fluid	Liquid
Working Temperature	(-)30 / (+)125 C
Working Pressure	Max. 20 bar
Output	NO Single Contact (Reed Relay)
Connection	1/2" BSP Male Thread
Cable	0.5 mt. PVC
Spring and Rove Material	Stainless Steel
Body Material	Stainless Steel
Body Colour	Metal
Accuracy	Adjustable
Contact	0.7 A 10 W 150VDC / 120VAC



Order Form : Please consider sample models when coding.

1 MODEL	PP Body , Blue.....EFS 11	Stainless Steel Body.....EFS 13
	PVC Body , Gray.....EFS 11x	

2 CERTIFICATE	None.....0	(EN10204-3-1) Material Certification.....1
----------------------	------------	--

3 OUTPUT	NO Reed Relay.....06	Special.....x
-----------------	----------------------	---------------

4 CONNECTION	Thread 1/2 " BSP.....0004	Special.....x
---------------------	---------------------------	---------------

5 OPTIONAL	None...../ 0	Special.....x
-------------------	--------------	---------------

EXAMPLE

EFS 11x - 0 - 06 - 0004 / 0
 EFS 11x Flow Switch , PVC Body , 1/2 " BSP - 1/2 " BSP , NO Contact